



---

## KIT PART NUMBER 6404080

### INSTRUCTIONS FOR REPLACING THE PUMP ROLLERS IN A CAFE' SYSTEM 7 MERCHANTISER

---

**CHECK THE PARTS RECEIVED IN THE KIT WITH THE PARTS LIST IN THESE INSTRUCTIONS. IF ANY PARTS ARE MISSING, CONTACT THE NATIONAL VENDORS PARTS DEPARTMENT IMMEDIATELY.**

---

**Read these instructions carefully before installing the kit.  
Keep these instructions for part numbers and for future reference.**

**This kit contains the following:**

INDEX	PART NUMBER	DESCRIPTION	QUANTITY
1	6404079	ROLLER AND BUSHING - PURPLE	2
2	6404045	TUBE - 6404059 - 32"	1
3	6400120	KIT INSTRUCTIONS	1

1. Unplug the Cafe' System 7 from the wall outlet.
2. Remove the pump assembly from the Cafe' System 7.
3. Remove the four screws holding the pump cover to the pump body (see figure 1).
4. **CAREFULLY** remove the pump cover. If you have to pry it off the pump body, only pry on the flat side where the tubing is located. If you pry on the curved section, you could damage it, which will in turn damage the new tubing.
5. Remove the old pump tubing and discard.
6. Spread the arms of the clip apart, and remove the roller assembly. If you need to remove the clip, spread the arms wide open and carefully lift it off the motor shaft. Discard the old (black) rollers.
7. Clean all of the roller assembly parts and dry with compressed air. Make sure they are free of residue.
8. Reassemble the roller assembly, using the new purple rollers (1). The roller housings are interchangeable, and it makes no difference which way the roller assembly faces on the pump motor shaft with the following exception: Make sure the flat sides of the holes in the roller housings line up. Otherwise, you will not be able to put the roller assembly back on the pump motor shaft.

#### NOTE

***If the roller assembly is not installed ALL THE WAY on the motor shaft, the pump tubing will be cut. The roller housings will break if hit with a hammer.***

9. Slide the roller assembly back onto the pump motor shaft and secure with the clip. You may need to use a pair of pliers to **CAREFULLY** snap the clip back onto the roller housing.

**MAKE SURE THE ROLLER ASSEMBLY DOES NOT MOVE UP THE SHAFT, AS THE RETAINER CLIP IS RE-ENGAGED ON THE ROLLER ASSEMBLY.**



10. Install the new pump tubing into the pump body as follows (see figure 2):
  - a. Measure 9½" from one end of your new piece of tubing. Mark it with a pencil.
  - b. Line the pencil mark up with the outside of the pump body as shown.
  - c. Work the tubing into the pump body while turning the roller assembly counterclockwise, as shown. DO NOT FORCE the tubing. Make sure the top of the tubing is even with the tops of the rollers. If it is lower or higher, it can get pinched, which can lead to premature failure or leaks. Before installing the pump cover, turn the roller assembly as shown in figure 2, view A.
  - d. Note that the pump cover and pump body have locator pins and holes molded into the curved face, as shown. Install the pump cover, curved side first. Take care not to pinch the tubing, and be sure the locator pins fit into their holes.
  - e. Hold the pump cover in place while inserting the four screws. Tighten the screws until they just snug up. DO NOT OVERTIGHTEN.
11. Connect the pump to a power source and test run before installing in the Cafe' System 7.
12. Install the pump into the Cafe' System 7 and connect the tubing. Connect the pump to the machine wiring harness.

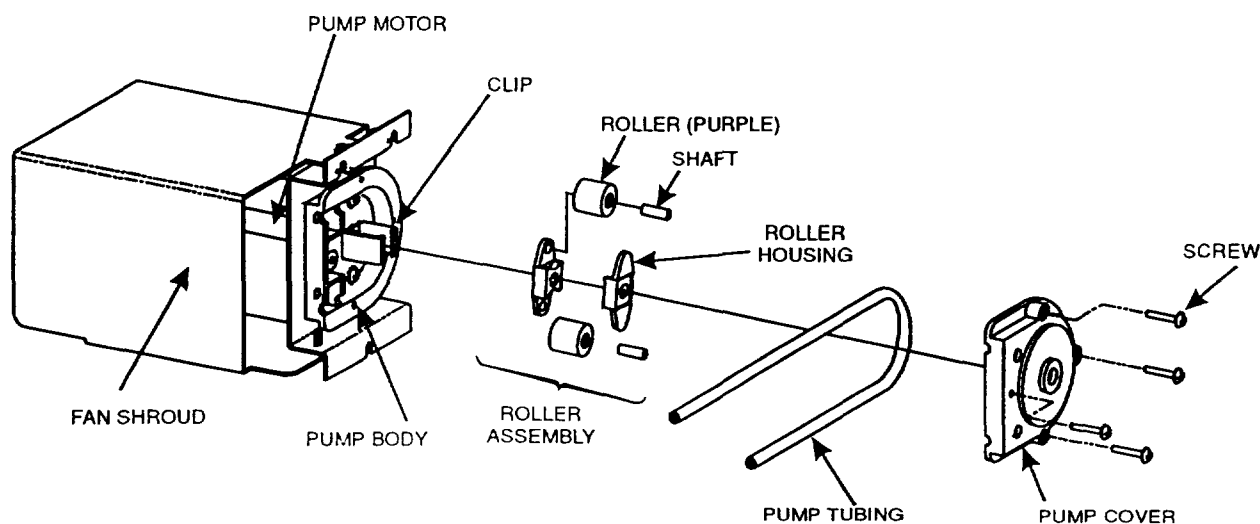


Figure 1

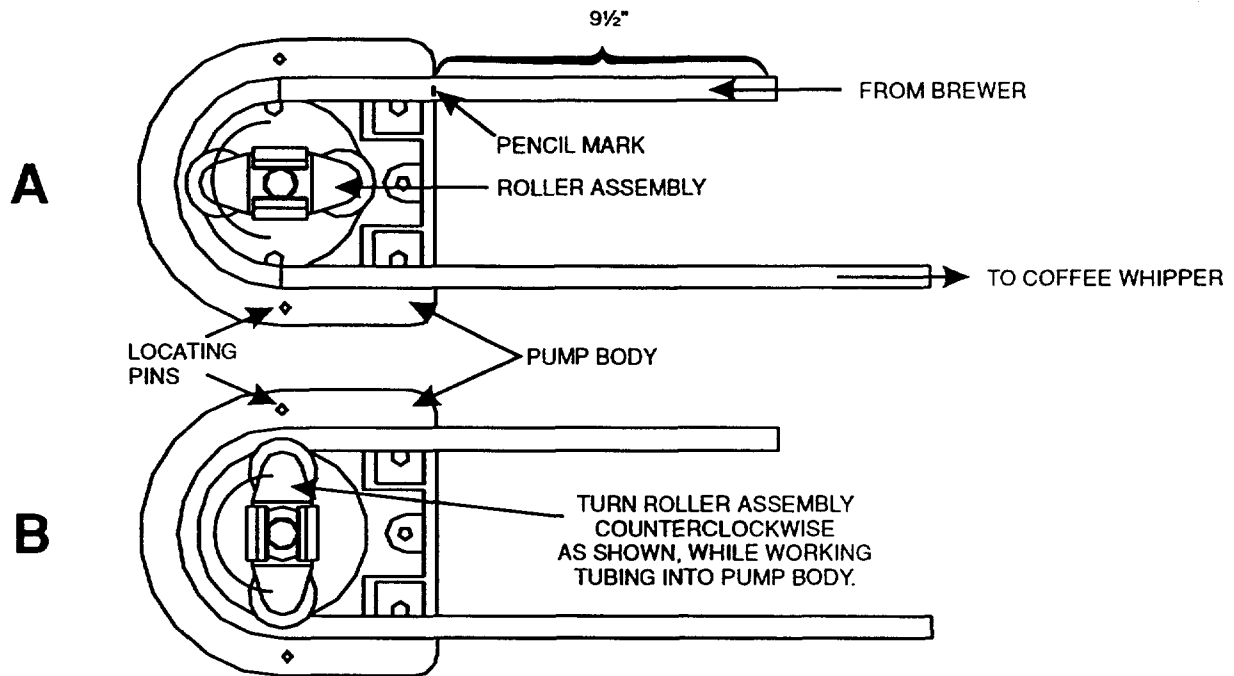


Figure 2